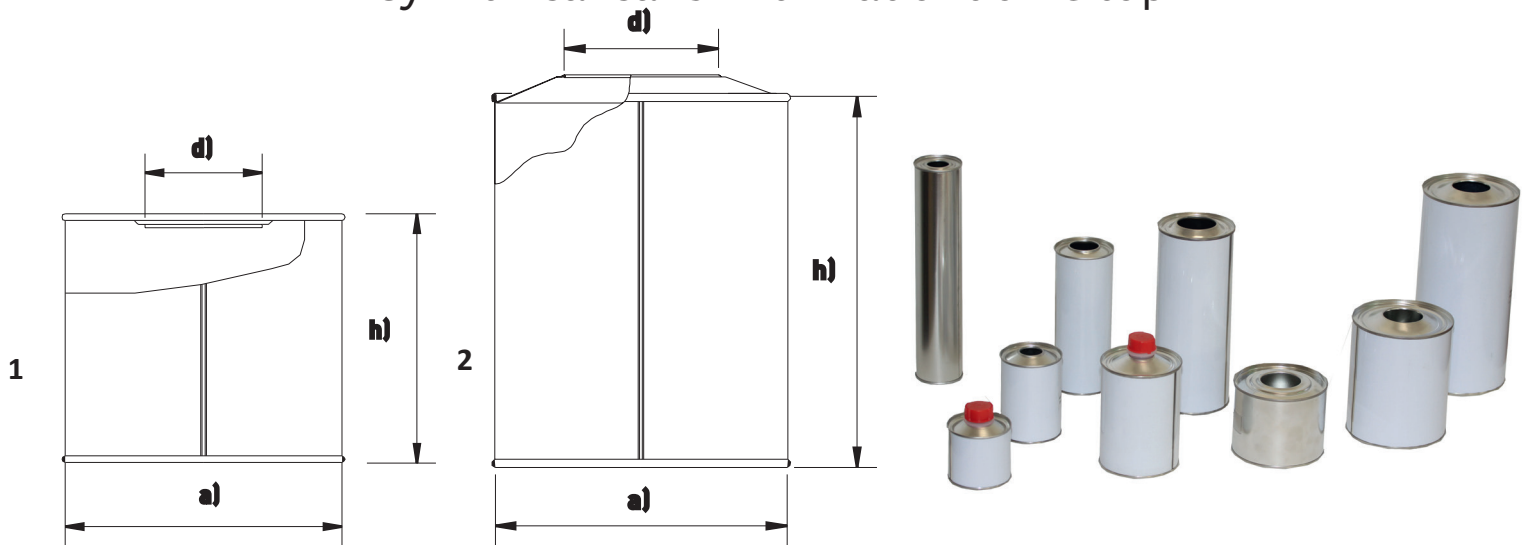


Flachflaschen / Trichterflaschen Cylindrical cans with flat or dome top



| Format Size | Nenninhalt (l) Trade volume | Füllinhalt (l) Brimful volume | Durchmesser (mm) a) | Höhe (mm) h) | Flach (1) / Trichter (2) Flat (1) / Dome top (2) | Verschluss d) | Palettenmenge (800x1200mm) Quantity per pallet | UN / RID ADR | Bemerkungen Remarks |
|-------------|--------------------------------|----------------------------------|---------------------|--------------|---|---------------|---|--------------|------------------------|
| D 52 X 105 | 0.15 | 0.2 | 52 | 105 | 1 | 24 DIN | 3 280 | N / N | |
| D 52 X 135 | 0.25 | 0.28 | 52 | 135 | 1 | 24 DIN | 2 624 | N / N | |
| D 52 X 255 | 0.5 | 0.53 | 52 | 255 | 1 | 24 DIN | 1 318 | N / N | |
| D 65 X 100 | 0.25 | 0.33 | 65 | 100 | 1/2 | 24 DIN/32 REL | 2 210 | N / N | 2) |
| D 65 X 171 | 0.5 | 0.56 | 65 | 171 | 1/2 | 24 DIN/32 REL | 1 326 | N / N | 2) |
| D 73 X 138 | 0.335 | 0.57 | 73 | 138 | 1 | 24 DIN | 1 440 | N / N | 2) |
| D 83 X 118 | 0.5 | 0.63 | 83 | 118 | 1/2 | 24/32/42 DIN | 1 296 | Y / Y | 2) |
| D 83 X 209 | 1 | 1.13 | 83 | 209 | 1/2 | 24/32/42 DIN | 720 | Y / Y | 2) |
| D 83 X 220 | 1 | 1.18 | 83 | 220 | 1/2 | 24/32/42 DIN | 720 | Y / Y | 2) |
| D 99 X 90 | 0.5 | 0.69 | 99 | 90 | 1/2 | 24/32/42 DIN | 1 188 | N / N | 2) |
| D 99 X 149 | 1 | 1.14 | 99 | 149 | 1/2 | 24/32/42 DIN | 693 | N / N | 2) |
| D 109 X 80 | 0.5 | 0.74 | 109 | 80 | 1/2 | 2) | 1 120 | N / N | 2) |
| D 109 X 132 | 1 | 1.23 | 109 | 132 | 1/2 | 2) | 640 | N / N | 2) |
| D 109 X 217 | 2 | 2.02 | 109 | 217 | 1/2 | 2) | 400 | N / N | 2) |

2) 24 / 32 / 42 / 57 DIN flache Oberseite; 42 DIN gewölbte Oberseite
2) Prägung für tastbares Warnzeichen möglich.

24 / 32 / 42 / 57 DIN on flat top; 42 DIN on dome top
Tactile warning emboss possible.